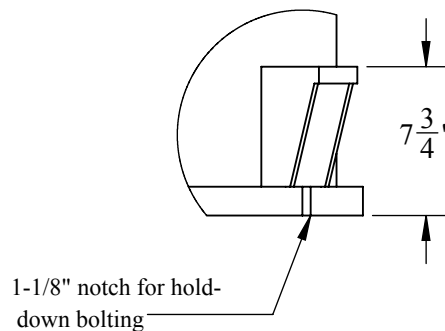


Existing Nozzles

- E-1 12" 300# RFLWN
- E-2 24" 300# RFLWN
- E-3 24" 300# RFLWN
- E-4 1-1/2" 300# RFLWN
- E-5 2" 300# RFLWN
- E-6 2" 300# RFLWN
- E-7 2" 300# RFLWN
- E-8 2" 300# RFLWN
- DP Data Plate
- B-1 8" I-beam bracket
- B-2 8" Flat bracket
- LL Lifting Lug (2" shackle hole)
- IR Insulation Support Ring

Manway  
Manway

Gulf Railcar Serial Number V- 00136 NB NOT REGISTERED  
 Year Built: 1991  
 Shell Steel Type: Unknown  
 Head Steel Type: Unknown  
 Radiography: Complete, 100% joint efficiency  
 Shell Thickness: 1.044"  
 Head Thickness: 1.050 " 2:1 Elliptical  
 MAWP: 448 psi  
 MAWT: 650 Degrees F  
 Capacity: 5,000 gallons



DETAIL  
SCALE 1 : 10



Gulf Rail Car  
5,000 gallon vertical vessel

SIZE	15-GR-05-1	
<b>A</b>		
	5/5/15	SHEET 1 OF 1